

# TEMPERATURE TRANSMITTER

## Wall Mount for Building Applications

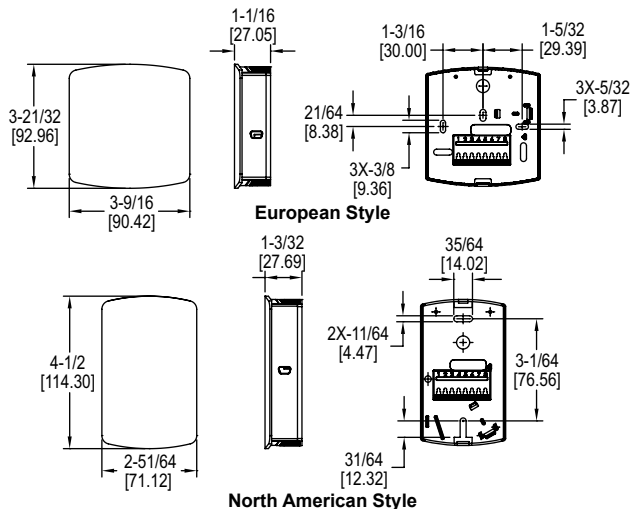
Temperature Transmitters



European Style



North American Style



The **SERIES BTT-E/N** Wall Mount Temperature Transmitter offers transmitter output signals with the same form and fit as our popular Series TE-E/N thermistor and RTD sensors for Building Automation and HVAC installations.

### FEATURES/BENEFITS

- Transmitter signal offers reliable accuracy for installations with long wire runs between the transmitter and the receiver/controller

### APPLICATIONS

- Room or indoor building space temperature monitoring

MODEL CHART		
Model	Housing	Output
<b>BTT-N00-3</b>	North American Style	4 to 20 mA
<b>BTT-N00-4</b>	North American Style	0 to 10 VDC
<b>BTT-E00-3</b>	European Style	4 to 20 mA
<b>BTT-E00-4</b>	European Style	0 to 10 VDC

SPECIFICATIONS
<b>Temperature Sensor:</b> Pt 1000 Ω RTD DIN Class A 0.00385Ω/°C.
<b>Range:</b> 32 to 122 °F (0 to 50 °C).
<b>Temperature Limits:</b> 32 to 122 °F (0 to 50 °C).
<b>Accuracy:</b> ±0.5 °C @ 25 °C.
<b>Thermal Effect:</b> ±0.01%/°C.
<b>Response Time:</b> 100 ms.
<b>Power Requirements:</b> 13 to 36 VDC for current models, 13 to 36 VDC or 16 to 28 VAC for voltage models.
<b>Output Signal:</b> 4 to 20 mA or 0 to 10 VDC (depending on model).
<b>Electrical Connections:</b> Screw terminal block.
<b>Enclosure Rating:</b> IP20.
<b>Weight:</b> 2.6 oz (73.7 g).
<b>Agency Approvals:</b> CE.