

Rotary Actuators

Standard Family

M91xx-xxx-1N(1)

(Joventa DAS-DMS / DA-DM / DAL-DML / DAG-DMG)

8, 16, 24 and 32 Nm, Non Spring Return

The Standard electric actuators have been specially designed for use with small and medium-sized air dampers and for terminal control units in air volume control systems.

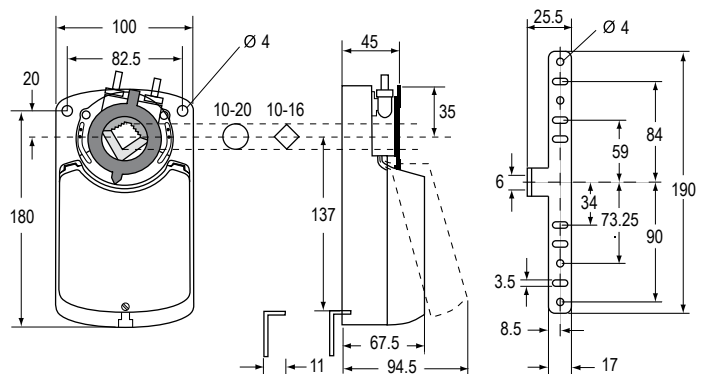
Thanks to their very small size and clever construction they are also ideal for applications where space is limited.

A key feature of the design is the special Johnson Controls spindle adapter which also incorporates angle-of-rotation limiting and position indication.



Features

- ON/OFF, Floating and Proportional Control
- Load independent running time
- Paralleling of up to 5 actuators possible
- Screw terminal connections
- Universal adapter for:
round spindles from 10 to 20 mm dia. or
Square spindles 10 ...16 mm with min. 48 mm ax length
- Choice of rotation
- Angle-of-rotation limiting
- Manual control by pushbutton
- 2 auxiliary switches
- Automatic end stops
- Power saving at end stops
- Customising available
- IP54



Dimensions in mm

Standard Family

M91xx-xxx-1N(1) (Joventa DAS-DMS / DA-DM / DAL-DML / DAG-DMG)

Ordering Codes		Running Time	Damper Size	Control Signals	2 x Auxiliary Contacts	Feedback Potentiometer	Supply Voltage (50/60Hz)	
Johnson Controls	Joventa*							
8 Nm								
M9108-AGA-1N	DAS1	30 s	1.5 m ²	ON/OFF and Floating	---	---	24 VAC/DC	
M9108-AGC-1N	DAS1.S				•	---		
M9108-AGE-1N	DAS1.P1				---	1 KOhm		
M9108-AGD-1N	DAS1.P2				---	140 Ohm		
M9108-AGF-1N	DAS1.P4				---	2 KOhm		
M9108-ADA-1N	DAS2				---	---		
M9108-ADC-1N	DAS2.S				•	---		
M9108-ADE-1N	DAS2.P1				---	1 KOhm		
M9108-ADD-1N	DAS2.P2				---	140 Ohm		
M9108-ADF-1N	DAS2.P4				---	2 KOhm		
M9108-GGA-1N	DMS1.1				Proportional 0(2)...10 VDC 0(4)...20 mA	---	---	24 VAC/DC
M9108-GGC-1N	DMS1.1S					•	---	
M9108-GDA-1N	DMS2.2			Proportional 0(2)...10 VDC		---	---	230 VAC
M9108-GDC-1N	DMS2.2S					•	---	
M9108-GDA-1N1	DMS2.5					---	---	
M9108-GDC-1N1	DMS2.5S					•	---	
16 Nm								
M9116-AGA-1N	DA1	80 s	3 m ²	ON/OFF and Floating	---	---	24 VAC/DC	
M9116-AGC-1N	DA1.S				•	---		
M9116-AGE-1N	DA1.P1				---	1 KOhm		
M9116-AGD-1N	DA1.P2				---	140 Ohm		
M9116-AGF-1N	DA1.P4				---	2 KOhm		
M9116-ADA-1N	DA2				---	---		
M9116-ADC-1N	DA2.S				•	---		
M9116-ADE-1N	DA2.P1				---	1 KOhm		
M9116-ADD-1N	DA2.P2				---	140 Ohm		
M9116-ADF-1N	DA2.P4				---	2 KOhm		
M9116-GGA-1N	DM1.1				Proportional 0(2)...10 VDC 0(4)...20 mA	---	---	24 VAC/DC
M9116-GGC-1N	DM1.1S					•	---	
M9116-GDA-1N	DM2.2			Proportional 0(2)...10 VDC		---	---	230 VAC
M9116-GDC-1N	DM2.2S				•	---		
M9116-GDA-1N1	DM2.5				---	---		
M9116-GDC-1N1	DM2.5S				•	---		

Note

* by adding a K after the type number you will acquire the same model with a Halogene free cable (1 m)

Standard Family

M91xx-xxx-1N(1) (*Joventa DAS-DMS / DA-DM / DAL-DML / DAG-DMG*)

Ordering Codes		Running Time	Damper Size	Control Signals	2 x Auxiliary Contacts	Feedback Potentiometer	Supply Voltage (50/60Hz)	
Johnson Controls	Joventa*							
24 Nm								
M9124-AGA-1N	DAL1	125 s	4.5 m ²	ON/OFF and Floating	---	---	24 VAC/DC	
M9124-AGC-1N	DAL1.S				•	---		
M9124-AGE-1N	DAL1.P1				---	1 KOhm		
M9124-AGD-1N	DAL1.P2				---	140 Ohm		
M9124-AGF-1N	DAL1.P4				---	2 KOhm		
M9124-ADA-1N	DAL2				---	---		
M9124-ADC-1N	DAL2.S				•	---		
M9124-ADE-1N	DAL2.P1				---	1 KOhm		
M9124-ADD-1N	DAL2.P2				---	140 Ohm		
M9124-ADF-1N	DAL2.P4				---	2 KOhm		
M9124-GGA-1N	DML1.1				Proportional 0(2)...10 VDC 0(4)...20 mA	---	---	24 VAC/DC
M9124-GGC-1N	DML1.1S					•	---	
M9124-GDA-1N	DML2.2			Proportional 0(2)...10 VDC		---	---	230 VAC
M9124-GDC-1N	DML2.2S					•	---	
M9124-GDA-1N1	DML2.5					---	---	
M9124-GDC-1N1	DML2.5S					•	---	
32 Nm								
M9132-AGA-1N	DAG1	140 s	6 m ²	ON/OFF and Floating	---	---	24 VAC/DC	
M9132-AGC-1N	DAG1.S				•	---		
M9132-AGE-1N	DAG1.P1				---	1 KOhm		
M9132-AGD-1N	DAG1.P2				---	140 Ohm		
M9132-AGF-1N	DAG1.P4				---	2 KOhm		
M9132-ADA-1N	DAG2				---	---		
M9132-ADC-1N	DAG2.S				•	---		
M9132-ADE-1N	DAG2.P1				---	1 KOhm		
M9132-ADD-1N	DAG2.P2				---	140 Ohm		
M9132-ADF-1N	DAG2.P4				---	2 KOhm		
M9132-GGA-1N	DMG1.1	200 s	Proportional 0(2)...10 VDC 0(4)...20 mA	---	---	24 VAC/DC		
M9132-GGC-1N	DMG1.1S			•	---			

Note

* by adding a K after the type number you will acquire the same model with a Halogene free cable (1 m)