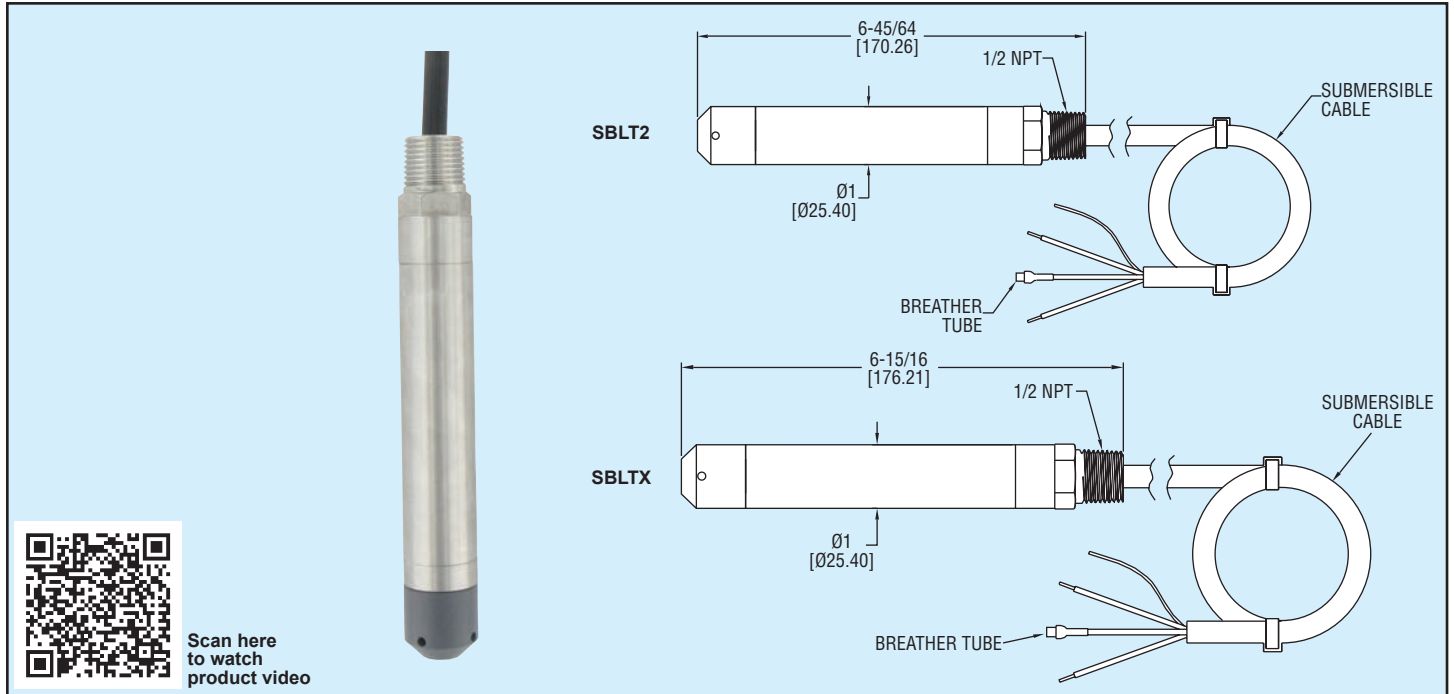




Series
SBLT2
&
SBLTX

Submersible Level Transmitters

Perfect for Ground Water and Wells, Lightning Protected



Scan here to watch product video

SBLT2 and SBLTX Submersible Level Transmitters are manufactured for years of trouble free service in the harshest applications. Both measure the height of liquid above the position in the tank referenced to atmospheric pressure. The transmitters consist of a piezoresistive sensing element, encased in a 316 SS housing. Bullet nose design protects the diaphragm from damage.

The SBLT2 incorporates lightning and surge protection utilizing dual arrestor technology, grounded to case, eliminating both power supply surges and lightning ground strike transients (surge protection is not guaranteed and is not covered by warranty). The SBLTX is UL approved intrinsically safe for use in hazardous locations when used with proper barrier.

Units come equipped with a 270-pound tensile strength shielded and vented cable. Ventilation tube in the cable automatically compensates for changes in atmospheric pressure above the tank. The vent is protected with a maintenance free filter eliminating particulate or water droplets from entering the transducers.

FEATURES

- Excellent chemical compatibility
- Lightning and surge protection on SBLT2 models
- Maintenance free vent filter
- UL approved intrinsically safe on SBLTX models
- Slim design for tight applications

APPLICATIONS

Well monitoring; Ground water monitoring; Environmental remediation; Surface water monitoring; Down hole; Water tanks.

Model	Range psi (ft w.c.) [m w.c.]	Cable Length ft (m)	Cable Type
SBLT2-5-40-ETFE	5 (11.54) [3.52]	40 (12.2)	ETFE
SBLT2-10-40-ETFE	10 (23.09) [7.04]	40 (12.2)	ETFE
SBLT2-15-60-ETFE	15 (34.63) [10.56]	60 (18.3)	ETFE
SBLT2-20-60-ETFE	20 (46.18) [14.08]	60 (18.3)	ETFE
SBLT2-5-40	5 (11.54) [3.52]	40 (12.2)	Polyurethane
SBLT2-10-40	10 (23.09) [7.04]	40 (12.2)	Polyurethane
SBLT2-15-60	15 (34.63) [10.56]	60 (18.3)	Polyurethane
SBLT2-20-60	20 (46.18) [14.08]	60 (18.3)	Polyurethane
SBLT2-3.5M-5M	4.97 (11.48) [3.5]	16.40 (5)	Polyurethane
SBLT2-5M-10M	14.21 (32.81) [10]	32.81 (10)	Polyurethane
SBLT2-10M-18M	25.58 (59.06) [18]	59.06 (18)	Polyurethane

OPTIONS

Intrinsically Safe Approval - Change model number from SBLT2 to SBLTX

Custom ranges or Cable Lengths- Contact the factory

SPECIFICATIONS

- Service:** Compatible liquids.
- Wetted Materials:** 316 SS, 316L SS, epoxy; Cable: Polyurethane or ETFE; Bullet nose: PVC.
- Accuracy:** ±0.25% of full-scale.
- Temperature Limit:** SBLT2: 0 to 150°F (-18 to 66°C); SBLTX: 0 to 176°F (-18 to 80°C).
- Compensated Temperature Range:** SBLT2: 0 to 140°F (-18 to 60°C); SBLTX: 0 to 176°F (-18 to 80°C).
- Thermal Effect:** ±0.02% full-scale/°F.
- Pressure Limit:** 2X full-scale.
- Power Requirement:** SBLT2: 13 to 30 VDC; SBLTX: 10 to 28 VDC.
- Output Signal:** 4 to 20 mA DC, 2-wire.

Response Time: 50 ms.

Max. Loop Resistance: 900 Ω at 30 VDC.

Electrical Connections: Wire pigtail.
Mounting Orientation: Suspended in tank below level being measured.

Weight: 2.2 lb (1.0 kg).

Electrical Protection: SBLT2: Lightning and surge protection; SBLTX: None.

Agency Approvals: SBLT2: None; SBLTX: CE, cUL intrinsically safe for Class I, Div. 1, Groups A, B, C, D; Class II, Div. 1, Groups E, F, G; Class III Div. 1. (According to control drawing 01-700797-00).

ACCESSORIES

MTL5041, intrinsically safe galvanic isolator

MTL7706, intrinsically safe zener barrier



A-297, Dessoricant Filter for vent tube. Removes humidity for protection of the sensor. Changes color to show saturation

A-625, 316 SS Cable Hanger use with NPT option for attaching chain for easy pulling out of application