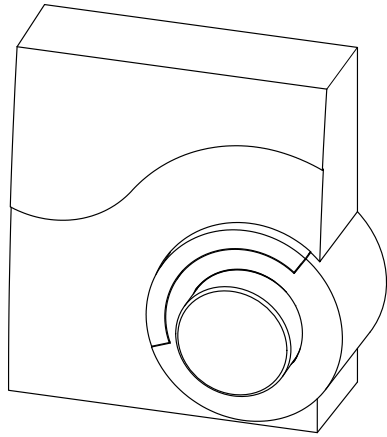


# Digital Fan Speed Controller

# FSD

V1.1

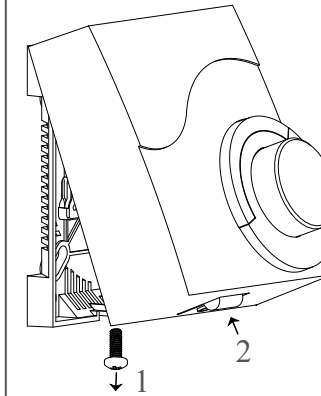


## Technical Data

Supply Voltage	: 220V 50/60Hz
Output Power	: 2.5A / 5.0A / 8.0A
Power Consumpt.	: 26mW
Protection Class	: IP30
Storage Condition	: -30...+50 C
Mounting	: 4x7mm Screw
Connection Term.	: 2.5-4mm <sup>2</sup>
Weight	: 180g
Sensor	: NTC10K
Set Temperature	: 22°C-25°C
Status Led	: Fan Speed

## Mounting

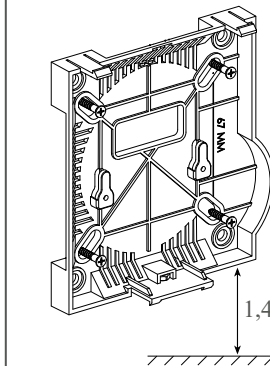
A- Open front cover.



- 1- Take out the security screw.
- 2- Press the button where below.
- 3- Pull it toward you with angle.

! Security screw is optional. (3x8mm Screw and Nut)

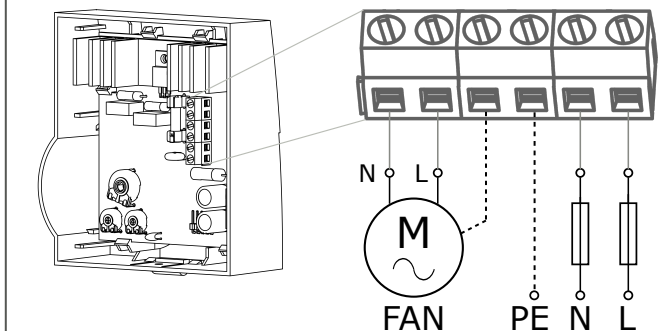
B- Mount the back cover to the wall by pass the cable.



! Should use minimum four screw.

! ATTENTION!  
Product must mounted at least 1.4 meter from floor upwards

C- Connect the cable of the supply voltage and motor



! Use the cable cross section which maximum 4mm<sup>2</sup>(TTR)

! WARNING!  
Make sure to off the fuse of the supply cable.

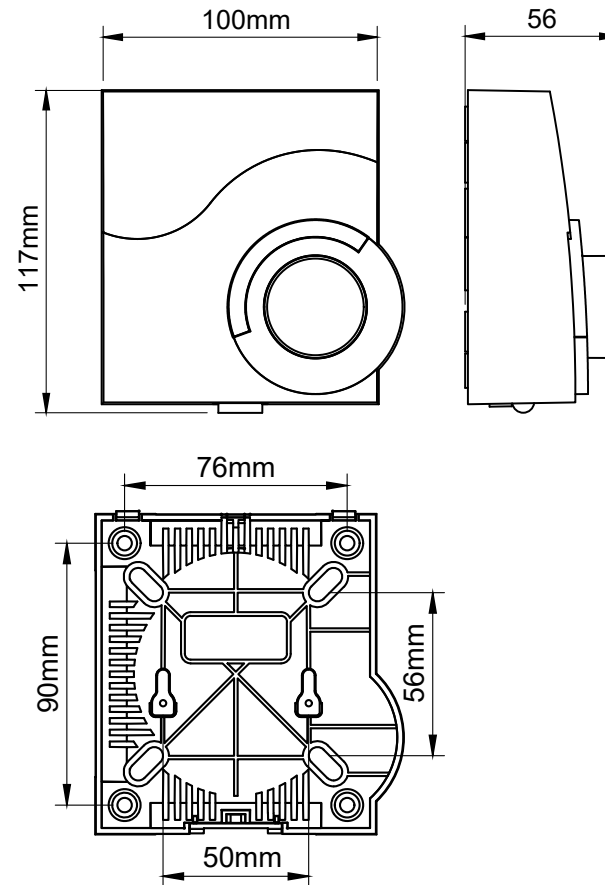
## Order Codes of Models

- FSD-2A5.....Digital Fan Speed Controller 2.5A
- FSD-5A0.....Digital Fan Speed Controller 5.0A
- FSD-8A0.....Digital Fan Speed Controller 8.0A

## Description

FSD is variable fan speed controller which smart and digital. It controls the fan of the air ventilator as manually and automatic according to user needs.

- ! ATTENTION!  
Read instructions before use the device.
- ! ATTENTION!  
Installation to the electrical appliances regulation make sure it fits. **FSD current should not exceed 1.5 times of the fan power.**
- ! WARNING!  
Feed power must closed to prevent electric accidents before make installation or repairing. This device mounting and repair should made by any service that have electric and technic information. Supplier isn't responsible a accidents which occurs during installation and repairing.



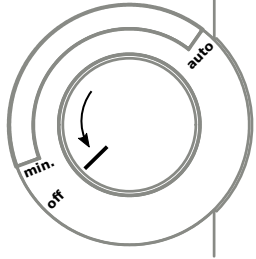
# Initial Service Settings

# Manuel Use Instructions

# Automatic Use Instructions

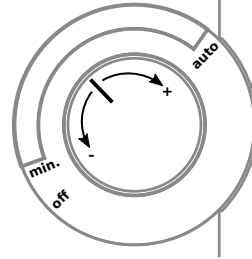
## First Energizing

Make the button off mode and energize the supply fuse.



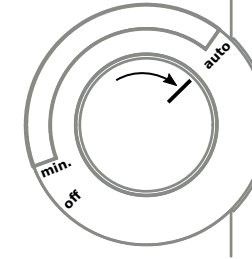
## Fan Speed Button

According to user needs, fan speed adjustment is made by increasing or decreasing the speed adjustment button between Min and Auto (Max).



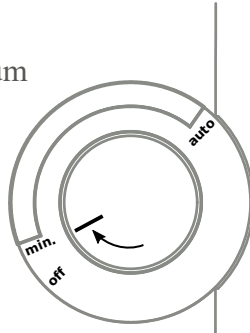
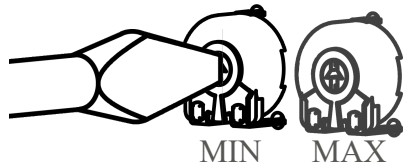
## Automatic (auto)

Turn the speed adjustment button to the place where it says auto and wait for the speed LED indicator to flash twice. After flashing, the fan speed setting will be adjusted automatically according to the room temperature value.



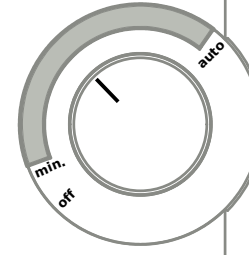
## Minimum Limit Setting

Make the button minimum mode. Make to desired setting the minimum stage setting pot.



## Speed Status Led

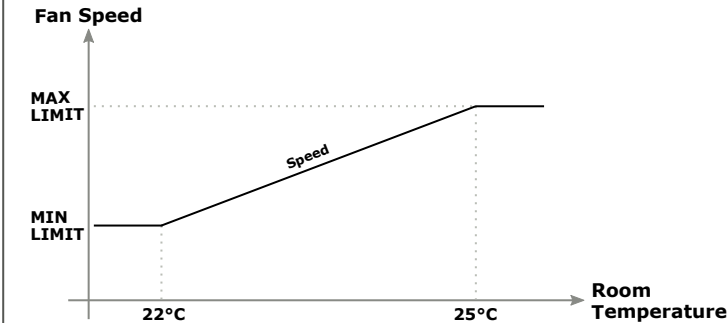
The speed setting made can be followed from the speed adjustment led indicator. As the speed is increased, the LED lights up and the intensity of the LED decreases as the speed is reduced. When the speed is stabilized, it takes the standby position and the led intensity becomes stable and maintains its working position.



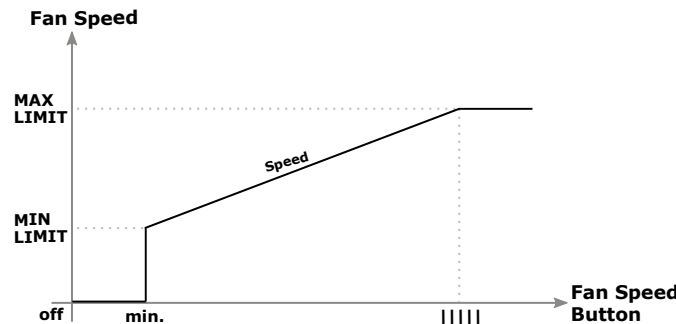
To exit the automatic mode, turn the button to the left and return to manual operation after flash twice.



WARNING! Fan speed adjustment is limited by speed adjustment limit switches. Therefore, the fan speed setting will operate to keep the room temperature at 22 °C between the minimum and maximum limits as shown in the graphic below.

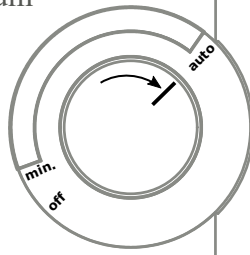
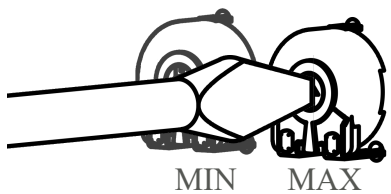


WARNING! Fan speed adjustment is limited by speed adjustment limit switches. Therefore, the fan speed setting will be between minimum and maximum limits as shown in the graphic below.



## Maximum Limit Setting

Make the button maximum mode. Make to desired setting the maximum stage setting pot.



## AHU CLOUD

İstanbul Üniversitesi Avcılar Yerleşkesi  
Teknokent No:312 Avcılar İstanbul/TURKEY  
Ahu Cloud is Brand of **BEY Mühendislik**.

+90 212 691 61 31

[www.ahucloud.com](http://www.ahucloud.com)

