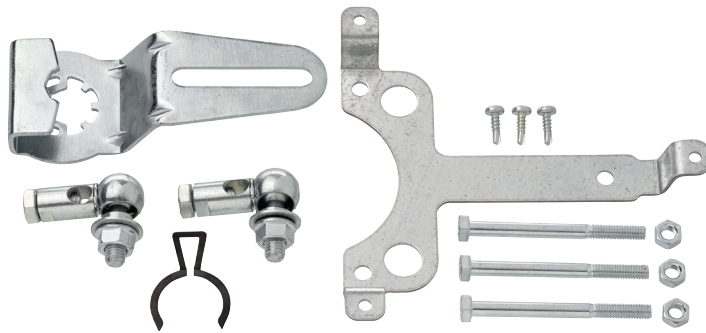


Mounting kit for linkage operation LF..

- for flat mounting
- 1 fastening element
- 2 angled ball joint KG8
- 1 crank arm
- 1 circlip
- 6 screws and 3 nuts

**Technical data**

Weight	Weight	0.38 kg
	Packaging size	Single-pack

Product features

Used materials	Galvanised steel
Application	Suitable for LF..

